

Installation instructions and user guide

Wine Chiller

RF51RCWX1

NZ AU



Safety and warnings	2
Your Fisher & Paykel Wine Chiller	3
Installation instructions	4
Power supply	4
Positioning your Wine Chiller	4
Before first use	5
Energy efficiency	5
Operating instructions	6
Storing red and white wine in the Wine Chiller	7
Short-term storage/serving	7
Long-term storage of wine	7
Interior fan	8
Ventilation control	8
Condensation control	8
Shelving	9
Deodoriser	9
Interior light	9
Cleaning and maintenance	10
Replacing the light bulb	11
Normal operating sounds you may hear	11
Transporting your Wine Chiller	11
Problem solving checklist	12
Customer care	13

Important!

SAVE THESE INSTRUCTIONS

The model shown in this user guide may not be available in all markets and is subject to change at any time. For current details about model and specification availability in your country, please go to our website listed on the back cover or contact your local Fisher & Paykel dealer.

2 Safety and warnings

Safety and warnings

To reduce the risk of fire, electric shock, or injury to persons, please read the **IMPORTANT SAFETY INSTRUCTIONS** before operating this appliance. Use this appliance only for its intended purpose as described in this User Guide.

Important!

When using this appliance, always exercise basic safety precautions including the following:

- *This appliance is not intended for use by young children or infirm persons without supervision. Young children should be supervised to ensure they do not play with the appliance.*
- *Risk of child entrapment. Before you throw away your old refrigerator, freezer or Wine Chiller:*
 - *Take off the door.*
 - *Leave the shelves in place so that children may not easily climb inside.*
- *Do not operate your Wine Chiller in the presence of explosive fumes.*
- *Extreme care must be taken when disposing of your old appliance to avoid hazards. The refrigerant gas must be safely removed and for the safety of young children, remove doors.*
- *Your Fisher & Paykel Appliances Authorised Service Centre will be able to give advice on environmentally friendly methods of disposing of your old Wine Chiller.*
- *This appliance must be properly installed in accordance with the installation instructions before it is used.*
- *Never unplug your Wine Chiller by pulling on the power cord.*
- *Always grip the plug firmly and pull straight out from the outlet.*
- *Repair or replace immediately all electric service cords that have become frayed or otherwise damaged. Do not use a cord that shows cracks or abrasion along its length at either the plug or appliance end.*
- *If the power supply cord is damaged, it must only be replaced by your Fisher & Paykel Appliances Authorised Service Agent.*
- *When moving your appliance away from, or against the wall, be careful not to crush or damage the power cord.*
- *Unplug your Wine Chiller before cleaning, replacing the light bulb, or making any repairs.*
- *This Wine Chiller should not be recessed or built-in to an enclosed cabinet. It is designed for freestanding installation only.*
- *Ensure your appliance is positioned free of any obstructions that will prevent air from flowing around the cabinet sides.*
- *Do not store food in the Wine Chiller. The interior temperature will not be cool enough to prevent spoilage in food and will promote bacterial growth.*
- *Many commercially available cleaning products contain solvents which may attack plastic components of your Wine Chiller and cause them to crack.*
- *Please refer to the cleaning care section of this booklet for further advice.*

SAVE THESE INSTRUCTIONS

Your Fisher & Paykel Wine Chiller

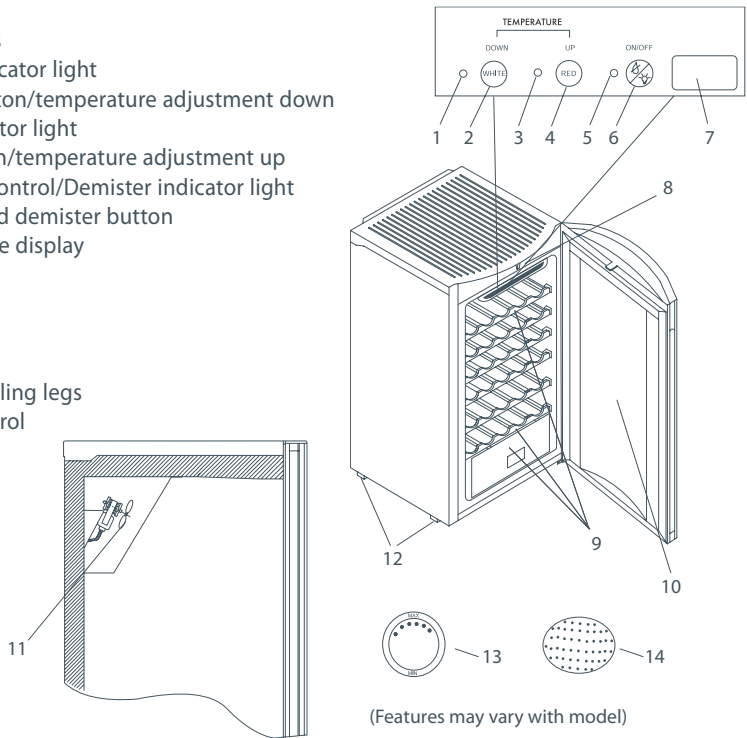
The storage of wine is important; as wine is a natural, perishable beverage the storage conditions impact greatly on the overall taste, quality and aroma of wine. It is therefore important to store and serve wine correctly. The Fisher & Paykel Wine Chiller provides you with all the necessary storage requirements to ensure your wine is adequately cared for.

Temperature control is important when storing wine. Too high a temperature ages wine prematurely and prevents it from developing to its full complexity. At temperatures above 20°C volatile aroma and flavour compounds are lost and oxidation occurs, all contributing to aging the wine prematurely. Too low a temperature delays maturation and can result in deposits or suspensions in the wine. The Wine Chiller can be set between 6 and 18°C, depending on the type of wine and length of storage required.

More important than the actual temperature of wine is the fluctuation in temperature the wine is subjected to. Changes in temperature can ruin wine, as it causes the wine to expand and contract in the bottle, damaging the integrity of the cork allowing oxygen to seep in. Daily and weekly fluctuations in household temperatures will over time cause damage to your wines and age them prematurely. The Wine Chiller provides a constant temperature storage environment with minimal fluctuations in temperature, suited to both long and short-term storage of red and white wine.

Parts and features

1. White wine indicator light
2. White wine button/temperature adjustment down
3. Red wine indicator light
4. Red wine button/temperature adjustment up
5. Condensation control/Demister indicator light
6. Interior light and demister button
7. LED temperature display
8. Interior light
9. Interior shelves
10. Door
11. Interior fan
12. Adjustable levelling legs
13. Ventilation control
14. Deodoriser



(Features may vary with model)

Fig 1. Parts and features of Wine Chiller

4 Installation instructions

Installation instructions

Please follow the installation instructions below to ensure your appliance operates correctly.

Power supply

- The appliance must be installed so that the plug is accessible.
- To ensure that the appliance is not accidentally switched off, connect your Wine Chiller to its own power point. Do not plug in any other appliance at this power point or use extension cords and double adaptors, as the combined weight of both power cords can pull the double adaptor from a wall outlet socket.
- For power requirements, refer to the information on the serial plate located on the back of the Wine Chiller.

Note:

It is essential that the appliance be properly grounded (earthed).

Positioning your Wine Chiller

- Your Wine Chiller should not be located in direct sunlight or next to any heat-generating appliance such as a cooktop, oven or dishwasher.

Ventilation requirements

- Your Wine Chiller is designed for freestanding installation only. It is not designed for built-in application.
- To ensure adequate ventilation for your Wine Chiller, allow a minimum of 50mm of airspace on each side of the cabinet, and 50mm at the rear.

Levelling your Wine Chiller

- It is important that all four corners of the Wine Chiller base are supported firmly on the floor to eliminate any cabinet movement.
 - Installing the appliance on a soft, uneven or unlevelled floor may result in twisting of the cabinet and poor sealing of the door.
- 1 Before moving your Wine Chiller into its position, ensure that the adjustable front feet are fully retracted by turning them anti-clockwise, i.e. towards the right of the cabinet.
 - 2 Position your Wine Chiller.
 - 3 Turn the adjustable feet clockwise, i.e. to the left, to lower the adjustable front feet.
 - 4 Raise the front of the appliance until it is stable and the door starts to self-close from an open position.
 - 5 The front levelling foot on the hinge side should take the majority of the weight of the cabinet and the cabinet should be stable, i.e. cabinet should not rock or wobble.

Before first use

- Remove all packaging from inside the Wine Chiller.
- Clean the inside of the appliance with warm water and a little liquid dishwashing detergent to remove manufacturing and transportation dust.
- Allow the Wine Chiller to run empty for at least 30 minutes to allow the appliance to acclimatise itself before making any temperature adjustments.
- The appliance may have an odour on its initial operation. This will go when the Wine Chiller has cooled sufficiently.

Energy efficiency

For optimal energy efficiency when operating your Wine Chiller:

- Do not cover your appliance with any material that will prevent air from flowing around the cabinet's sides.
- Do not leave the door open for any longer than is necessary.

6 Operating instructions

Operating instructions

Temperature Control

- When the Wine Chiller is first turned on, it defaults to its red wine setting of 13°C (the light next to the “red wine” button on the display will be illuminated).
- The LED display will show the actual internal cabinet temperature of the Wine Chiller, which will be close to the temperature of the room.
- The Wine Chiller can be set to any temperature between 6 and 18°C to accommodate your wine storage requirements.

To set the temperature:

- 1 Press both the “white wine” and “red wine” buttons simultaneously and hold for approximately 3 seconds.



Fig 2. Temperature control

- 2 The LED display will start blinking, indicating it is now in temperature set mode.
- 3 Decrease the temperature by pushing the “white wine” button or increase the temperature by pressing the “red wine” button. The temperature can be changed in 1°C increments.
- 4 After 10 seconds the Wine Chiller LED screen will return to displaying the current internal temperature reading.

Storing red and white wine in the Wine Chiller

The temperature varies within the Wine Chiller, creating different wine storage zones. When storing a combination of red and white wine in the Wine Chiller, the top three shelves, the bottom shelf and the drawer should be used for red wine storage. Shelves four to eight should be used for white wine storage.

Short-term storage/serving

The Wine Chiller is perfect for short-term storage (less than one week) of wines. The display has a “white wine” and “red wine” button, which sets the cabinet to the ideal temperature for the short-term storage of either red or white wine.

Red wine

For short-term storage of red wine it is recommended that the Wine Chiller be set at 13°C as red wine is best served slightly warmer. Serving red wines too warm (over 18°C) is undesirable, as the alcohol can leave an unpleasant taste on the palate.

- To activate the red wine setting, simply press the button labelled “red” and the light next to the button will illuminate, indicating the chiller is set to it’s red wine setting.
- The default of the Wine Chiller, when on it’s red wine setting is 13°C. (To display the set temperature of the red wine setting, press and hold the “white” and “red” buttons simultaneously for 3 seconds).

White wine

In comparison to red wine, white wine is best served at cooler temperatures, so for short-term storage 8°C is recommended. If white wines are stored and served at colder refrigerator temperatures, the aromas and flavours are decreased and you won’t get full enjoyment.

- To activate the white wine setting, simply press the button labelled “white” and the light next to the button will illuminate, indicating the chiller is set to it’s white wine setting.
- The default of the Wine Chiller, when on it’s white wine setting is 8°C. (To display the set temperature of the white wine setting, press and hold the “white” and “red” buttons simultaneously for 3 seconds).

Long-term storage of wine

In addition to short-term storage of wine, the Wine Chiller is also perfect for long-term storage of wines.

- The ideal long-term storage (more than one week) temperature for both red and white wine is 12°C.
- Setting the Wine Chiller at 12°C for long-term storage of wine will maintain and develop the quality of the wine to perfection.

8 Operating instructions

Interior fan

The interior fan will stop when the door is opened and will start up again once the door has been closed.

Ventilation control

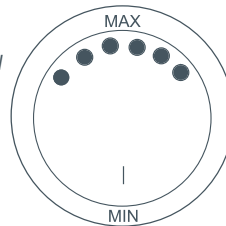
Your Wine Chiller is fitted with a ventilation control. This allows ambient air to enter and circulate through the Wine Chiller.

Note:

In areas or times of high humidity, the vent should always be closed.

- The ventilation control is located at the bottom rear of the unit.
- To have all the air holes open simply adjust the ventilation control so all the holes are on the top (see Fig 3).

Fig 3. Ventilation control



Condensation control

At certain times of the year, your Wine Chiller may produce condensation on the glass door (this is normal). Condensation forms when warm, humid ambient air meets a cooler surface causing the moisture in the air to condense and collect on the coldest surface.

To overcome this, your Wine Chiller has a demister function, which when activated gently lifts the glass surface temperature, clearing the condensation.

To clear condensation from the glass door:

- 1 Open the door.
- 2 Press and hold the "Demister" button until the indicator light turns on.
- 3 The condensation control mode is now activated.
- 4 Once the condensation has cleared, press and hold the "Demister" button until the indicator light turns off.



Fig 4. Condensation control

Shelving

There are 9 wooden shelves and 1 wooden drawer for easy storage and removal of your wine. Larger bottles, or Magnums can be more easily accommodated by laying them across the shelves at the bottom of the chiller.

To remove the glide out shelves:

- 1 Pull to extend the shelf out completely.
- 2 Carefully lift the shelf from the securing hooks on the tracks and remove.
- 3 To replace the shelf, make sure that the securing hooks on each track are in between the stoppers on the shelf.

Deodoriser

The cabinet is fitted with a deodoriser, which helps to remove stale unwanted odour. The deodoriser air holes (Fig 5) are located on the rear of the unit, internally and externally to allow airflow in and out of the Wine Chiller.

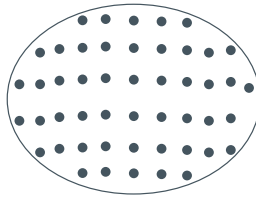


Fig 5. Deodoriser

Interior light

To compliment the look of your wine collection, a soft light has been built into the Wine Chiller. The interior light will automatically turn on when the door is opened.

To turn the light off:

Push the light button (see Fig 6).



Fig 6. Interior light button

To set the light to remain on after the door has been closed:

Push the light button (see Fig 6) before closing the door.

Note:

For maximum energy savings, it is recommended to leave the light off when not viewing your collection.

Warning!

- *To avoid electric shock always unplug your Wine Chiller before cleaning. Ignoring this warning may result in death or injury.*
- *Before using cleaning products, always read and follow manufacturer's instructions and warnings to avoid personal injury or product damage.*

Cleaning and maintenance

Important!

- *Many commercially available cleaning products contain solvents that may attack the plastic components of your Wine Chiller and cause them to crack. It is important to use only warm water and a small amount of liquid dishwashing detergent or 3-4 tablespoons of baking soda on any components inside or outside your Wine Chiller.*

Interior

- Prepare a cleaning solution of a small amount of liquid dishwashing detergent, or 3-4 tablespoons of baking soda mixed with warm water. Use a sponge or soft cloth, dampened with the cleaning solution, to wipe over the interior surfaces of your Wine Chiller.
- Rinse with clean warm water and dry with a soft cloth.
- Do not use harsh chemicals, abrasives, ammonia, chlorine, bleach, concentrated detergents, solvents or abrasive scouring pads. SOME of these chemicals may dissolve, damage and/or discolour the interior of your Wine Chiller.

Exterior

- Clean all exterior surfaces with liquid dishwashing detergent and warm water, or use the same cleaning solution as advised for the interior of the cabinet.
- Dry the door with a clean, lint free cloth.

Door gaskets

- Clean the door gasket every three months using an old toothbrush, warm water and detergent.
- Gaskets must be kept clean and pliable to assure a proper seal.
- Petroleum jelly applied lightly on the hinge side of the gasket will keep the gasket pliable and assure a good seal.

Replacing the light bulb

- 1 To avoid electric shock, unplug your Wine Chiller before replacing the bulb.
- 2 Remove the light cover as illustrated (Fig. 7).
- 3 Unscrew the bulb and replace.
Bulb specification: 220-240V,15W,E14
- 4 Refit light cover.

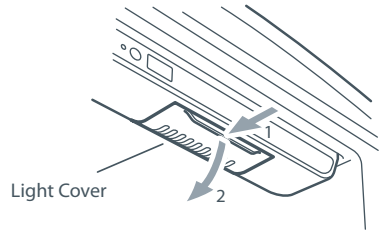


Fig 7. Removing the light cover

Normal operating sounds you may hear

- Running/boiling water, gurgling sounds or slight vibrations are the result of the refrigerant circulating through the cooling coils.
- The thermostat control will click when it cycles on and off.
- Other sounds may be heard for the following reasons:
 - Cabinet not level.
 - Floor uneven or weak.

Transporting your Wine Chiller

- Always move the Wine Chiller vertically. Do not transport the product lying down as possible damage to the sealed system could occur.

Note:

After moving, wait for 30 minutes before plugging in the Wine Chiller.

12 Problem solving checklist

Problem solving checklist

If there is a problem with your appliance, please check the following points before contacting your local Fisher & Paykel Appliances Dealer or Authorised Service Agent or Customer Care Centre.

Problem	Possible causes	What to do
Wine Chiller does not operate	No electricity at the power outlet	Check that the Wine Chiller is correctly connected and power switched on
		Check another appliance at the same outlet
		Check house fuse
Wine appears too warm	Temperature setting not correct	Adjust temperature control to colder setting
	Frequent door openings	Minimise door openings to allow temperature to stabilise
	Large amount of wine bottles added	Allow time for recently added wine to reach desired temperature
Wine temperature is too cold	Temperature setting not correct	If temperature control setting is too cold, adjust to a warmer setting
Motor operates for long periods	Hot weather	Minimise door openings to allow temperature to stabilise
	Frequent door openings	Doors may have been opened frequently or for an extended period of time
	Temperature setting too low	The running time of the motor is affected by the temperature setting chosen. Refer to the Temperature Control or Wine Storage sections for optimal temperature settings.
	Door not sealed properly	Check that the gasket is sitting flat and sealing tightly
Moisture build up on interior or exterior surface of the Wine Chiller	Not unusual during periods of high humidity	Wipe dry, or activate the condensation control function
	Prolonged or frequent door openings	Minimise door openings to allow the temperature to stabilise. Also check that the gasket is sitting flat and sealing the door tightly.
Wine Chiller door does not shut properly	Cabinet not positioned stable or level	Level the Wine Chiller
	Door obstruction	Check for obstructions e.g. wine bottles, shelves

Customer care



Check the things you can do yourself.
Refer to your User Guide and check:

- 1 Your appliance is correctly installed
- 2 You are familiar with its normal operation

If after checking these points you still need assistance, please refer to your nearest Authorised Service Centre, or contact us through our local website listed on the back cover.

In New Zealand if you need assistance...*

Call your Fisher & Paykel retailer who is trained to provide information on your appliance, or if we can be of any further help, please contact our Customer Care Centre,

Toll Free: 0800 FP CARE or 0800 37 22 73 **Fax:** (09) 273 0656

Email: customer.care@fp.co.nz

Postal address: P.O. Box 58732, Greenmount, Auckland

If you need service...*

Fisher & Paykel has a network of independent Fisher & Paykel Authorised Service Centres whose fully trained technicians can carry out any service necessary on your appliance. Your dealer or our Customer Care Centre can recommend an Authorised Service Centre in your area.

In Australia if you need assistance...*

Call the Fisher & Paykel Customer Care Centre and talk to one of our Customer Care Consultants.

Toll Free: 13 00 650 590 **Fax:** (07) 3826 9298

Email: customer.care@fp.com.au

Postal Address: PO Box 798, Cleveland QLD 4163

If you need service...*

Fisher & Paykel Australia Pty Ltd has a network of independent Fisher & Paykel Authorised Service Centres whose fully trained technicians can carry out any service necessary on your appliance. Our Customer Care Centre can recommend an Authorised Service Centre in your area.

*If you call or write, please provide: name, address, model number, serial number, date of purchase and a description of the problem. This information is needed in order to better respond to your request for assistance.

Product Details

Fisher & Paykel Appliances Ltd

Model/Serial No. _____

Date of Purchase Purchaser _____

Dealer Suburb _____

Town Country _____

Copyright © Fisher & Paykel 2008. All rights reserved.
The product specifications in this booklet apply to the specific products and models described at the date of issue. Under our policy of continuous product improvement, these specifications may change at any time. You should therefore check with your Dealer to ensure this booklet correctly describes the product currently available.

www.fisherpaykel.co.nz
www.fp.com.au

NZ AU
Wine Chiller installation instructions
and user guide
Published: 08/2008
Part No. 791614